

BKCC GENT 17-11-2019

## SPORTZAAL BOURGOYEN GENT

Driepikkelstraat 30, 9030 Mariakerke

Organization : Kendo Gent and Kojika kendo club

08u30 : Doors open

10u00 : Start Technical competition A-B-C-D

12u15 : Finals and presentation of the medals A-B-C-D

12u30 : Break and examination registration

13u00 : Start Shiai competition E-F-G-W

16u00 : Teams

17u00 : Finals and presentation of the medals E-F-G-W – Teams

17u45: Examinations and Ji-Geiko

18u45 Final end

**!!!!!!!!!! START TIME and SHIAJO CAN CHANGE !!!!!!!**

Support the National kendo team and the Kojika Spring Tournament

\*\*\*\*\*

Our National Team "Kendo" propose also a " Bento Box" on sale at the event

Pre-order for Bento is necessary and also sandwiches will be available

The cafeteria will be open all day

*Dear Kendo Friends,*

*Welcome to the 2019 edition of the All Belgium Kendo Championships.*

*For some of you, this is the first occasion to share in an ABKF activity.*

*Our Federation has been celebrating earlier this year its 50<sup>th</sup> anniversary.*

*Even if the first generation isn't with us anymore, you can count on experienced leaders in your dojo. Kendo is not only a physical activity with competition as the main goal. It is an education method. Taking part in shiai is a small but important part of the path. The first step in shiai can be the BKKC. Afterwards, you will be able to take part in various other shiai-related events or trainings. But, in between each shiai, it is always necessary to return to basics. These basics are to be practiced in your dojo and can be sharpened by attending seminars. ABKF organizes every year several seminars with high-level teachers. It is up to you to join these or travel abroad to extend your personal technical knowledge.*

*To conclude, I would like to thank the organizers of the actual event, the VKIJF committee, referees, motodachi, helpers, supporters and YOU to make this event what it has to be. An exhibition of fairness and excellent technical kendo.*

*May the best of today return back home with a medal; but let us all continue to walk this nice "Path of the Sword" with confidence.*

*Serge HENDRICKX, ABKF President*

<b><i>Technical competition (...kyu up to 4<sup>th</sup> kyu)</i></b>
---

Announcements by referees

Announcement by main referee: ***Kirigaeshi hajime***: Execution: Men kirigaeshi (x2 – without taiatari)

Announcement by main referee: ***Uchikomi hajime***: Execution: uchikomi geiko.

Men, kote, do, kote-men, kote-do, kote-men-do, men – all with large movements without taiatari) with the motodachi

Decision by the referees will be taken at the **end of the execution**,

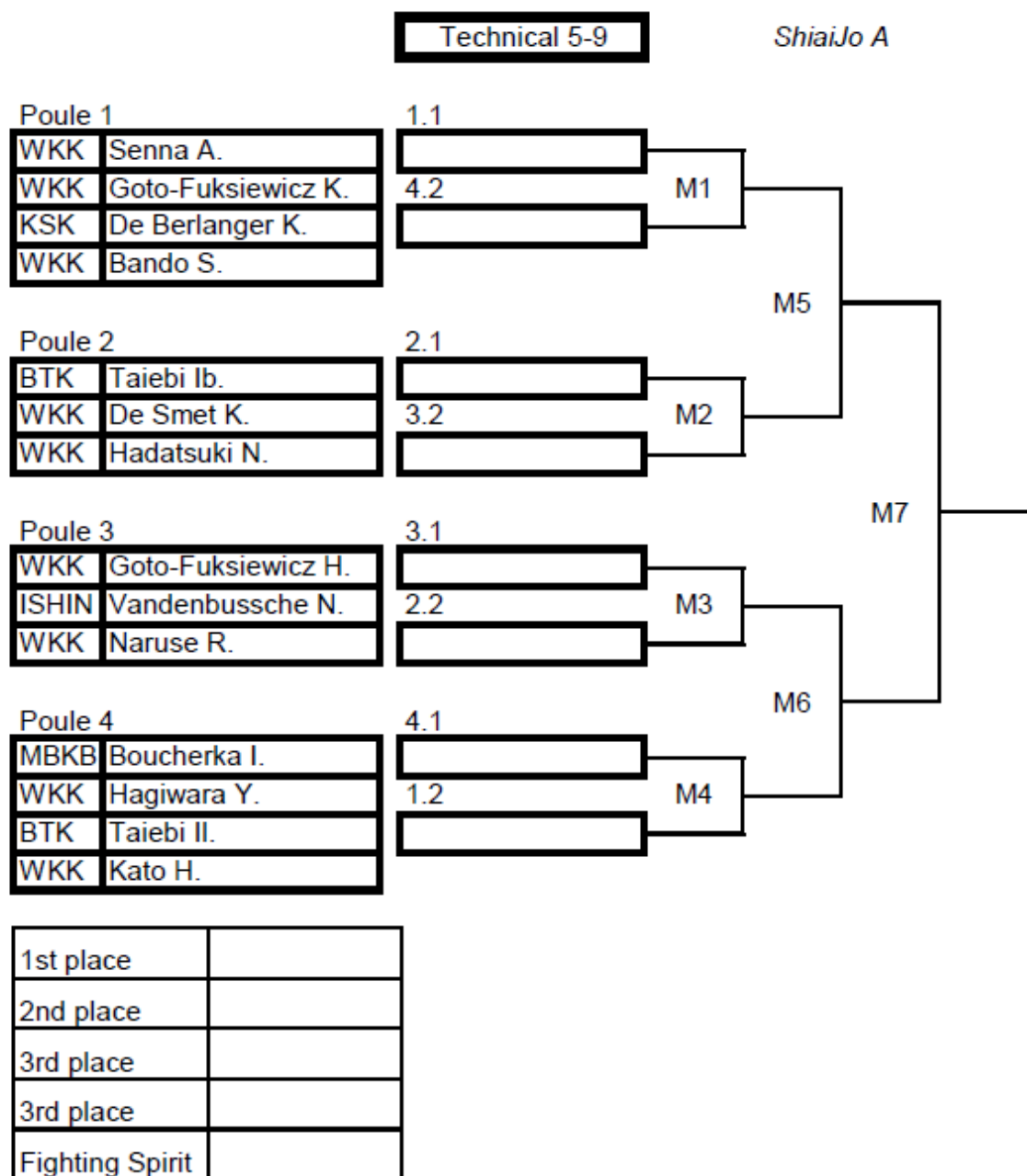
Shinpan Shu-shin will call for ***Hantei***.

The winners is: **highest number (counting) of winning flags.**

By Hikiwake: Number of victories (won matches) and if equal the total number of winning flags.

If at the end of the pool the first and/or second place is not clearly identified, the concerned players will be requested to play supplementary technic: **UCHIKOMI**, to determine the rank inside the concerned pool.

A : technical competition for children from 5 up to 9(\*) years old



B : technical competition for children from 10 up to 13(\*) years old

**Technical 10-13**

*Shiaijo B*

Poule 1

WKK	Saito S.
ISHIN	Marcelle O.
SEN	Manirakiza S.
KJK	Saccasijn R.

1.1

--

2.2

--

M1

M3

Poule 2

WKK	Chauve A.
KJK	Madeleyn J.
YUH	Irimia Beets R.
ISHIN	Pennickx L.

2.1

--

1.2

--

M2

1st place

2nd place

3rd place

3rd place

Fighting Spirit

C : technical competition for juniors from 14 up to 17(\*) years old

**Technical 14-17**

*Shiaijo C*

Poule 1

SSK	De Clercq W.
WKK	Hakata T.
KJK	Willaert Y.
BTK	Lo Dico K.

1.1

2.2

M1

M3

Poule 2

KOT	Crunelle C.
SEN	Pirotte M.
ISHIN	Mahaux E.
KG	Garreyn Y.

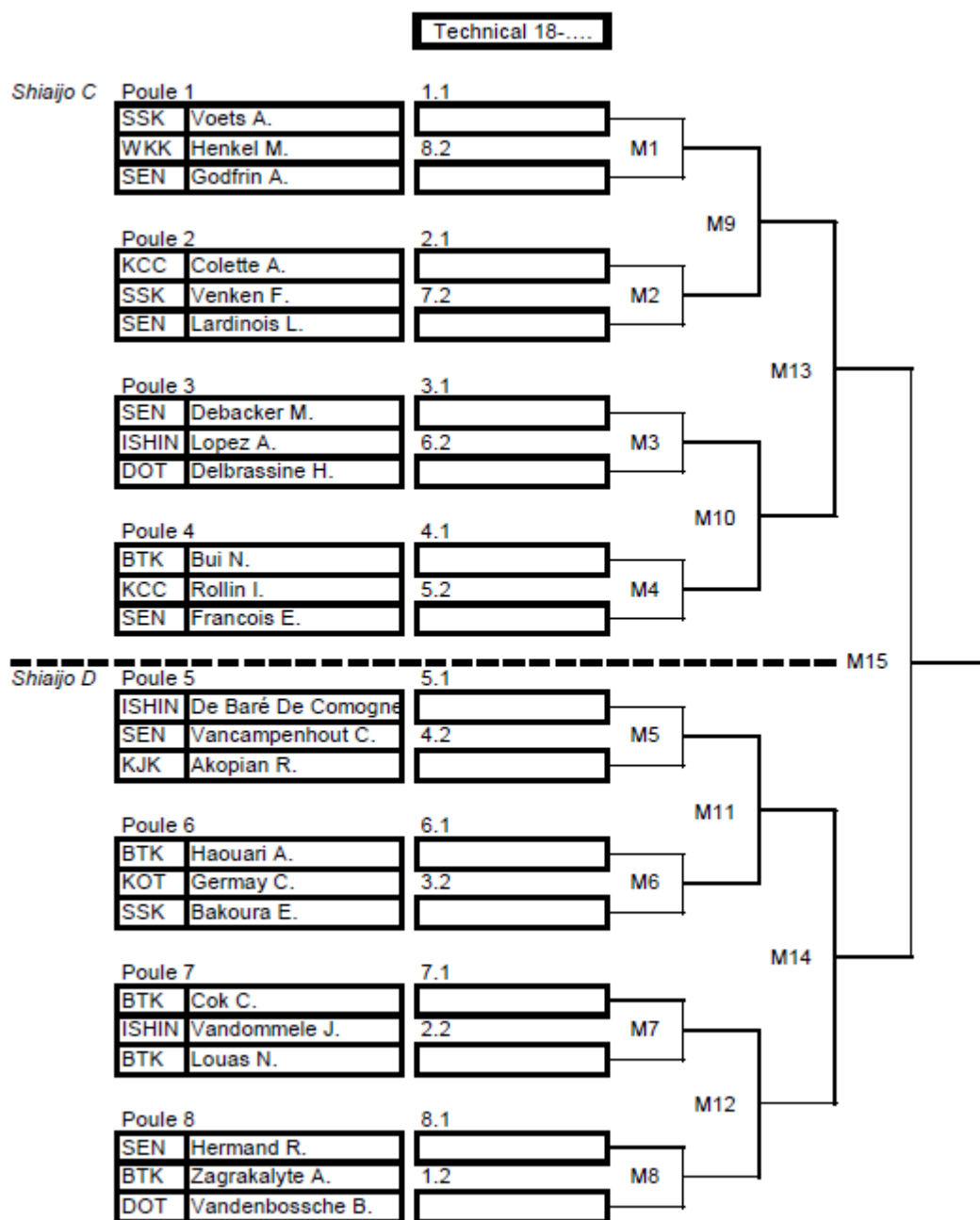
2.1

1.2

M2

1st place	
2nd place	
3rd place	
3rd place	
Fighting Spirit	

D : technical competition for people from 18(\*) years old



1st place	
2nd place	
3rd place	
3rd place	
Fighting Spirit	

<b>BK Kyu: Shiai division (3<sup>rd</sup> to 1<sup>st</sup> kyu)</b>
--

	<b>Pool</b>	<b>Pool : if extra match</b>
<b>E:</b> Junior up to 13(*) years old	Hantei : Yes + 2POINTS Hansoku: Yes Time : 3 min Encho : No	<i>Hantei : Yes Hansoku: Yes Time : 3 min Encho :1 x 3 min</i>
<b>F:</b> Juniors from 14 until 17(*) years old	Hantei : No Hansoku: Yes Time : 3 min Encho : No	<i>Hantei : Yes Hansoku: Yes Time : 3 min Encho : 1x 3 min</i>
<b>G:</b> Men from 18(*) years old	Hantei : No Hansoku: Yes Time : 3 min Encho : No	<i>Hantei : Yes Hansoku: Yes Time : 3 min Encho : 1 x3 min</i>
<b>W:</b> Women from 18(*) years old	Hantei : No Hansoku: Yes Time : 3 min Encho : No	<i>Hantei : Yes Hansoku: Yes Time : 3 min Encho :1x 3min</i>

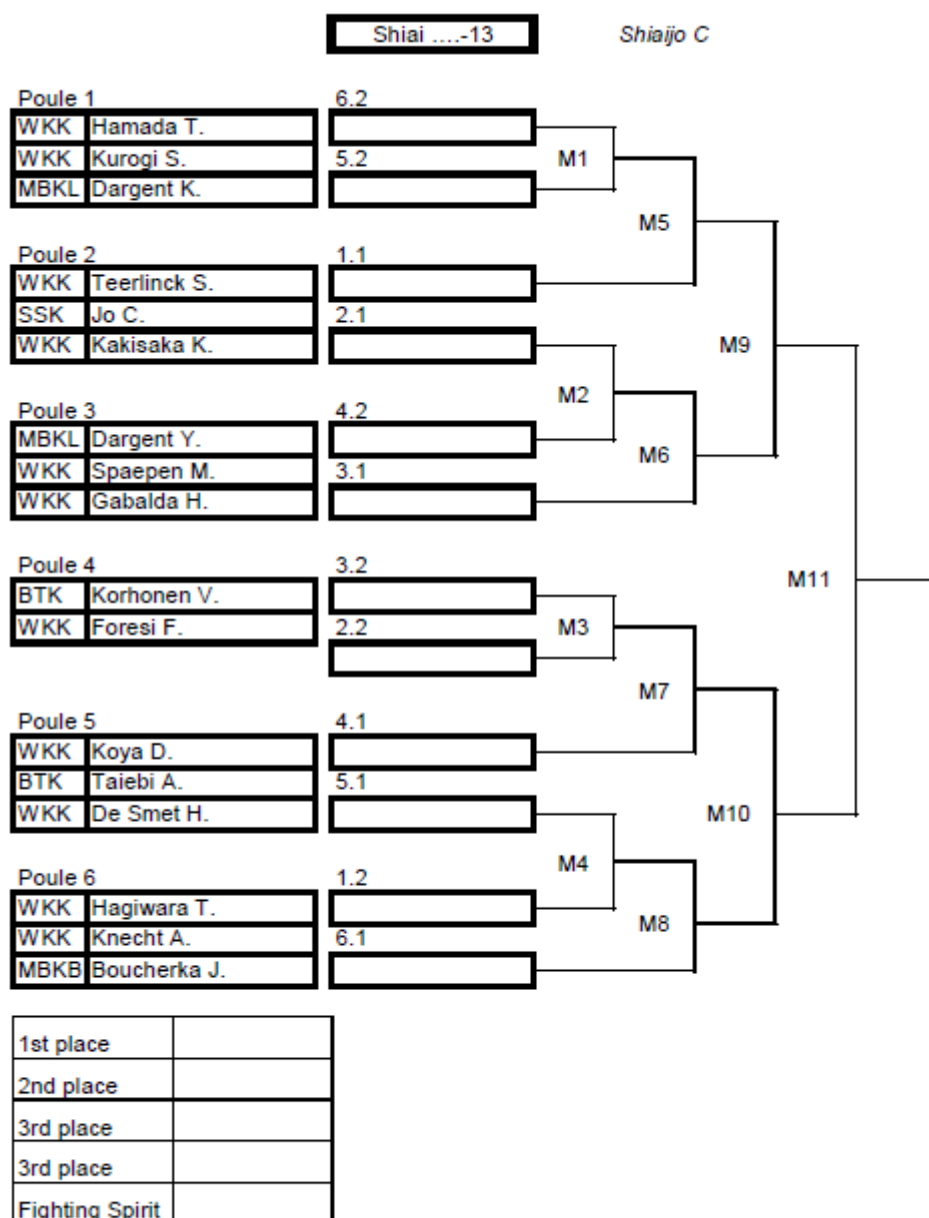
<b>Knock-out</b>
------------------

	Final grid	Semi Final /Final
<b>E:</b> Junior up to 13 years old	Hantei : Yes Hansoku: Yes Time : 3 min Encho : No	Hantei : No Hansoku: Yes Time : 3 min Encho : Yes
<b>F:</b> Juniors from 14 until 17 years old	Hantei : No Hansoku: Yes Time : 3 min Encho : Yes(*)	Hantei : No Hansoku: Yes Time : 4 min Encho : Yes (*)
<b>G:</b> Men from 18 years old	Hantei : No Hansoku: Yes Time : 3 min Encho : Yes(*)	Hantei : No Hansoku: Yes Time : 5 min Encho : Yes(*)
<b>W:</b> Women from 18 years old	Hantei : No Hansoku: Yes Time : 3 min Encho : Yes(*)	Hantei : No Hansoku: Yes Time : 5 min Encho : Yes(*)

(\*) Encho will always be without time limit).



## E: junior up to 13(\*) years old



F: Juniors from 14 until 17(*) years old
--

Shiai 14-17
-------------

Poule 1	
---------	--

MBKB	Boucherka M.
WKK	Teerlinck M.
WKK	Panzani K.
MBKL	Dargent M.

1.1

2.2

M1

M3

Poule 2	
---------	--

MBKB	Dria A.
KSK	Van Kerkhoven P.
WKK	Grulois K.

2.1

1.2

M2

1st place	
2nd place	
3rd place	
3rd place	
Fighting Spirit	

W: Women from 18(\*) years old

**Shiai Women 18-....**

*Shiaijo D*

Poule 1

ULB	Wu L.
SSK	Srikanok Rachi.
KCC	Legrand M.

1.1

--

2.2

--

M1

Poule 2

YUH	Cordier L.
MBKL	Reginster A.
ULB	Queralt Alcaraz M.

2.1

--

1.2

--

M2

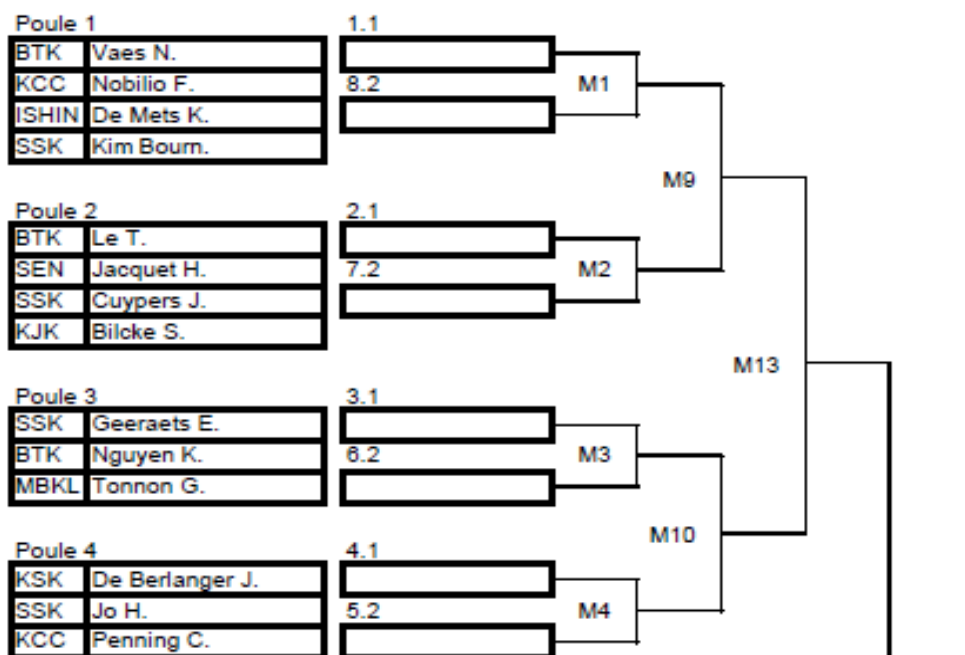
M3

1st place	
2nd place	
3rd place	
3rd place	
Fighting Spirit	

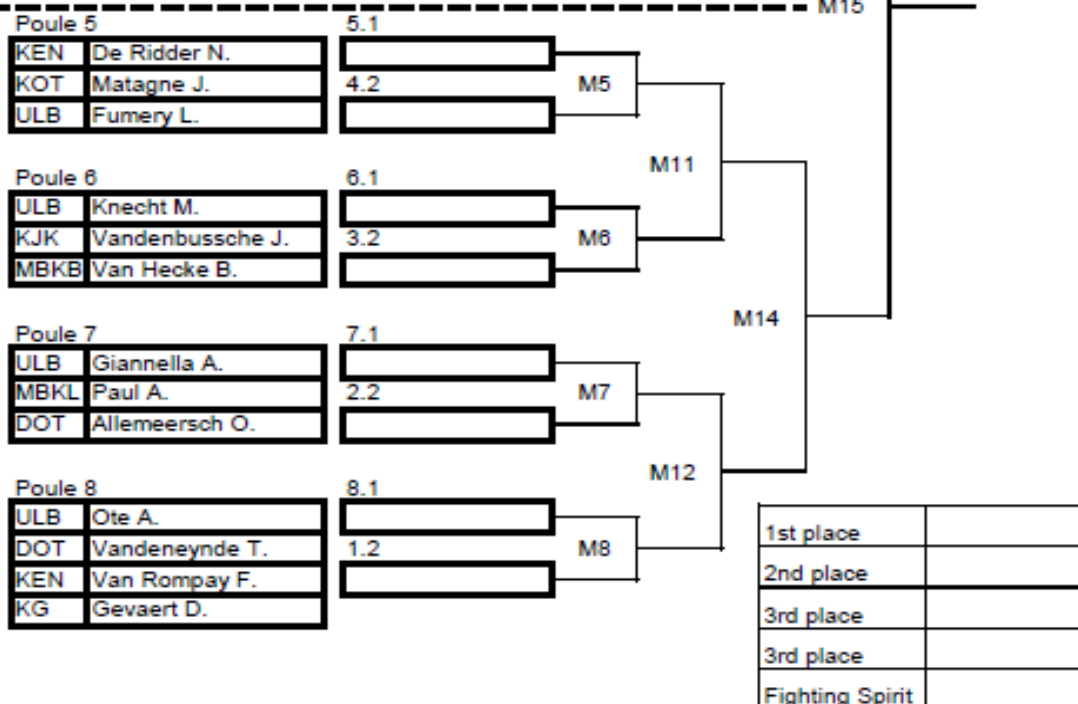
## G: Men from 18(\*) years old

## Shiai Men 18-....

Shiaijo A



Shiaijo B



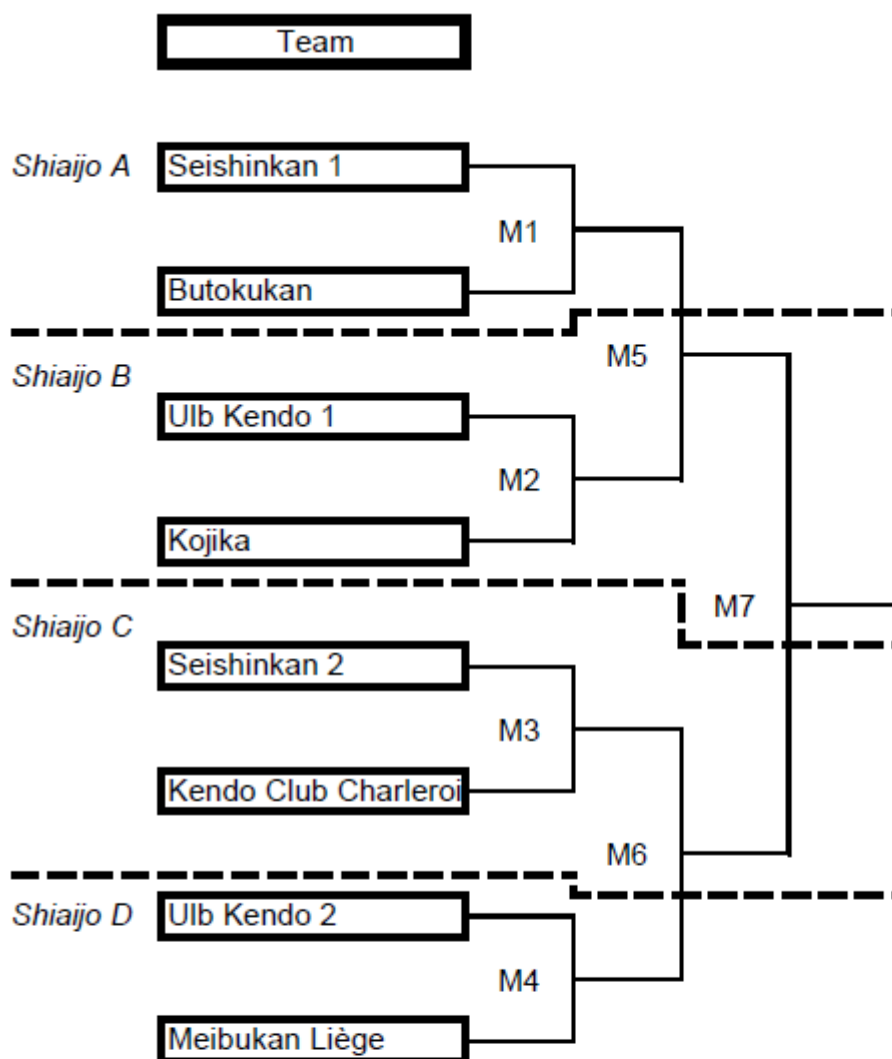
<b><u>Team matches. : Members age: +18 year and 3°kyu</u></b>
---

TEAMS	Pool	Pool Supplementary match : Ippon Shobu
Hantei : No Hansoku: Yes Time : 3 min Encho : No		Hantei : No Hansoku: Yes Time : 3 min Encho : Yes with no time limit

TEAMS	
Knock-Out	Knock-Out Extra match : Ippon Shobu
Hantei : No Hansoku: Yes Time : 3 min Encho : No	Hantei : No Hansoku: Yes Time : 3min Encho : Yes with no time limit
Semi - and Final	Extra match : Ippon Shobu
Hantei : No Hansoku: Yes Time : 5 min Encho : No	Hantei : No Hansoku: Yes Time : 5 min Encho : Yes with no time limit

***Decision is made by counting the number of victories and if these are equal, only the number of scored points. (men-kote-do-tsuki: all 1 point) is counted***

If at the end of the total number of fights and points the final result is a draw, a supplementary match (ippon shobu) will be held to determine the winner. This match will be held in the same conditions than the other matches. If at the end of the entire time, no decision is made, encho without time limit will be declared.



1st place	
2nd place	
3rd place	
3rd place	
Fighting Spirit	